

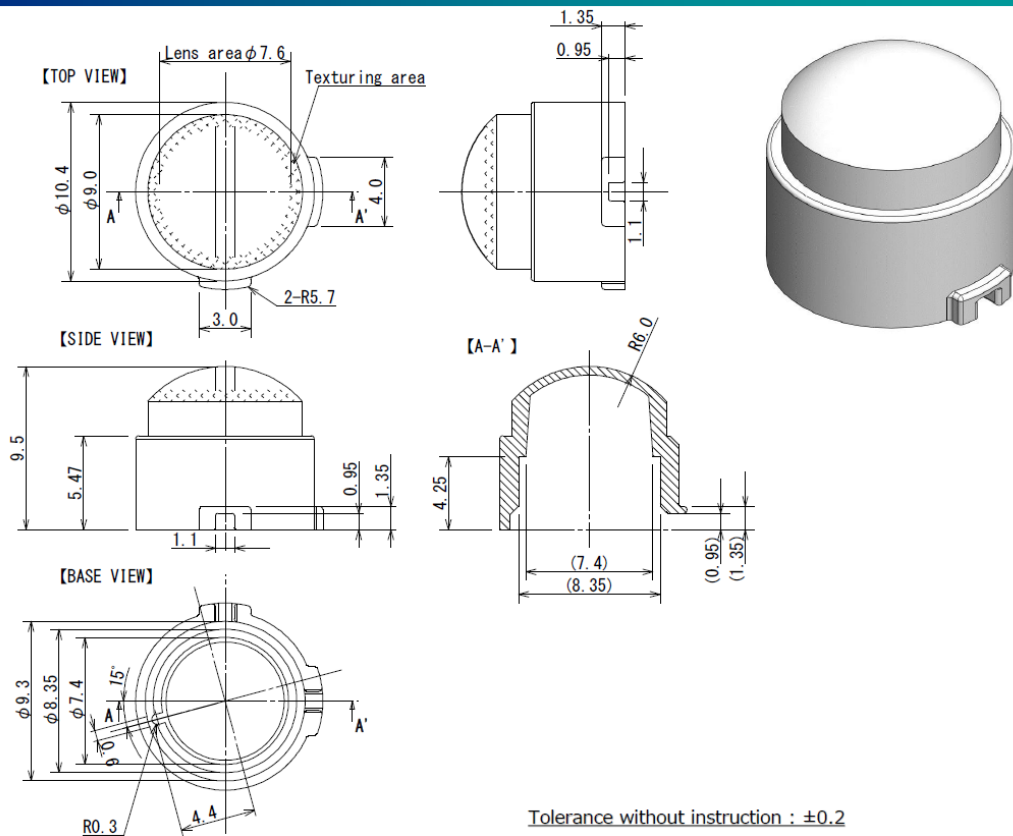


NiCeRa Standard Lens Lineup

February 25, 2021
 Nippon Ceramic Co., Ltd.
 Infrared Sensor Div.
 Engineering Dept.

NCL-10IL Shape & Dimensions(Fig.7)

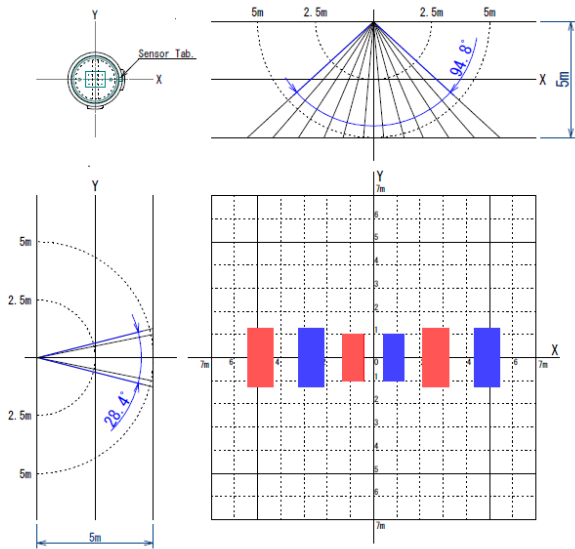
Fig.7



Tolerance without instruction : ± 0.2

NCL-10IL Detection Area (Fig.7a•Fig.7b)

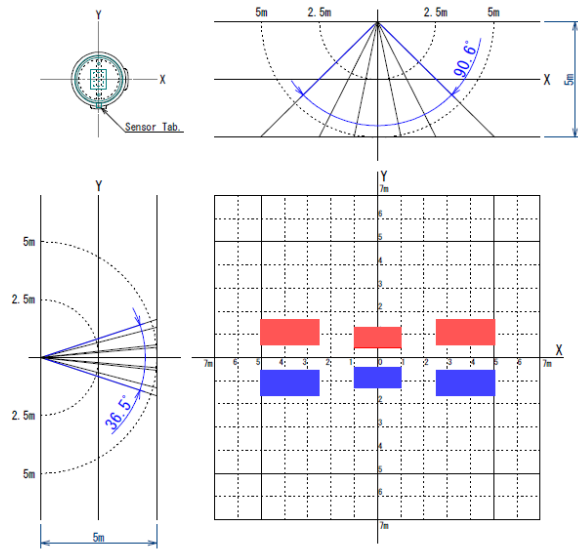
Fig.7a



Zone : 6

Distance : 5m
(Traverse Plane)

Fig.7b

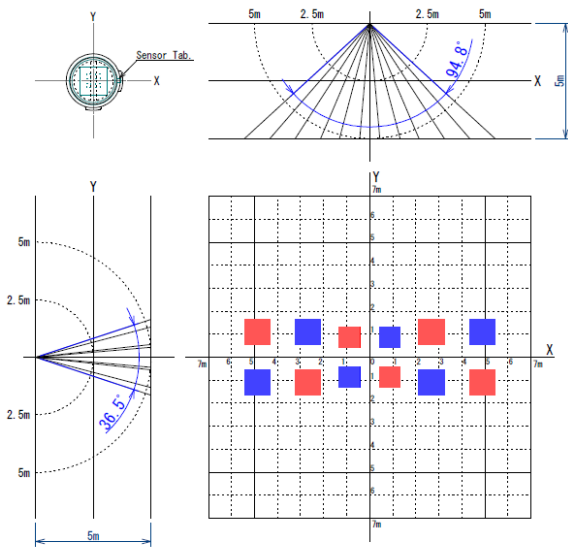


Zone : 6

Distance : 5m
(Traverse Plane)

NCL-10IL Detection Area (Fig.7c•Fig.7d)

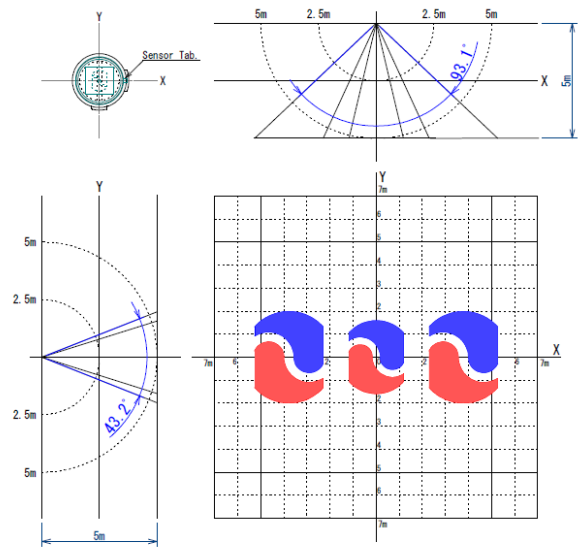
Fig.7c



Zone : 12

Distance : 5m
(Traverse Plane)

Fig.7d



Zone : 6

Distance : 5m
(Traverse Plane)