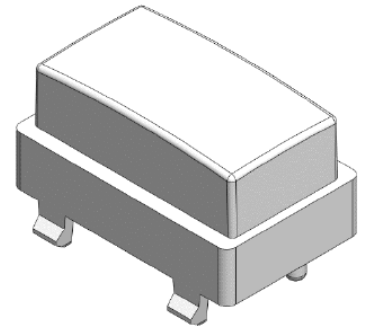
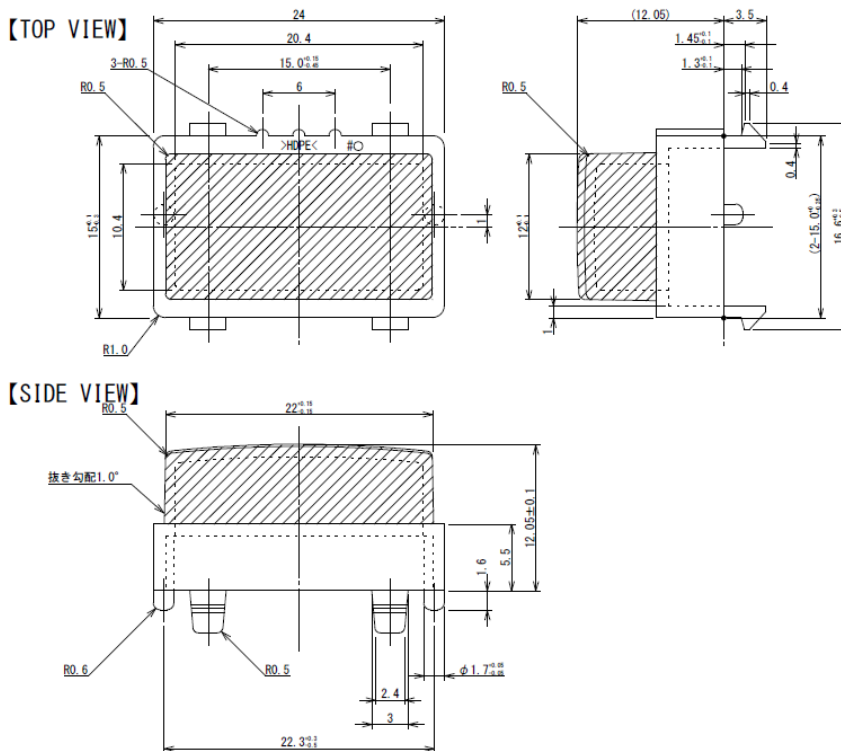


NiCeRa Standard Lens Lineup

February 25, 2021
 Nippon Ceramic Co., Ltd.
 Infrared Sensor Div.
 Engineering Dept.

Fig.10



Tolerance without instruction : ± 0.2

Fig.10a

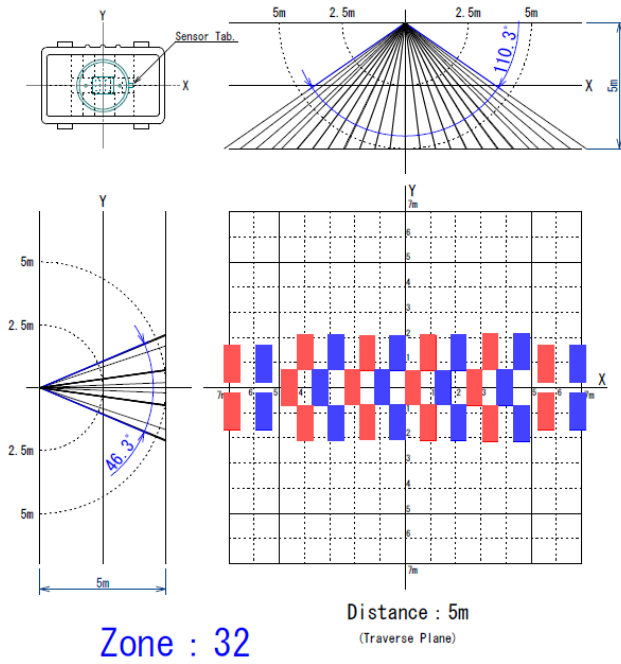


Fig.10b

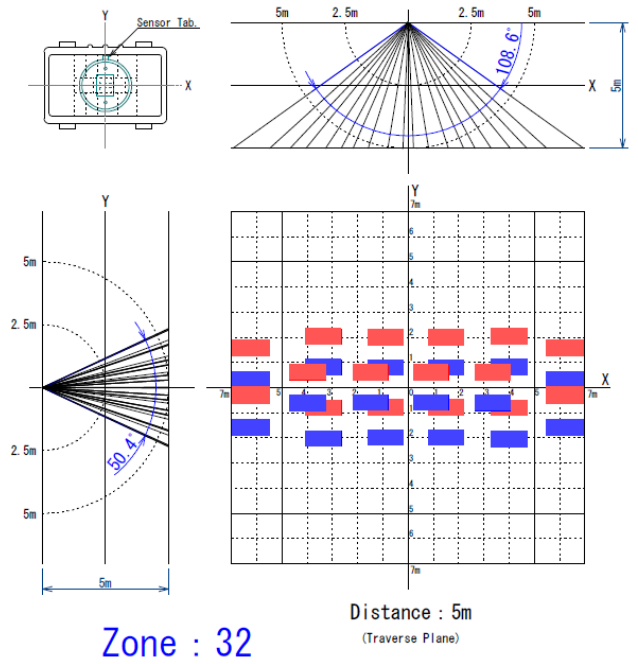


Fig.10c

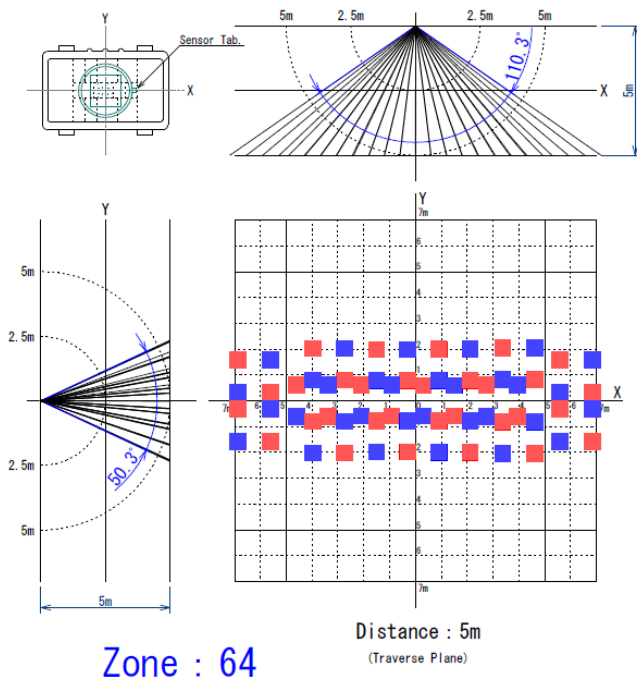


Fig.10d

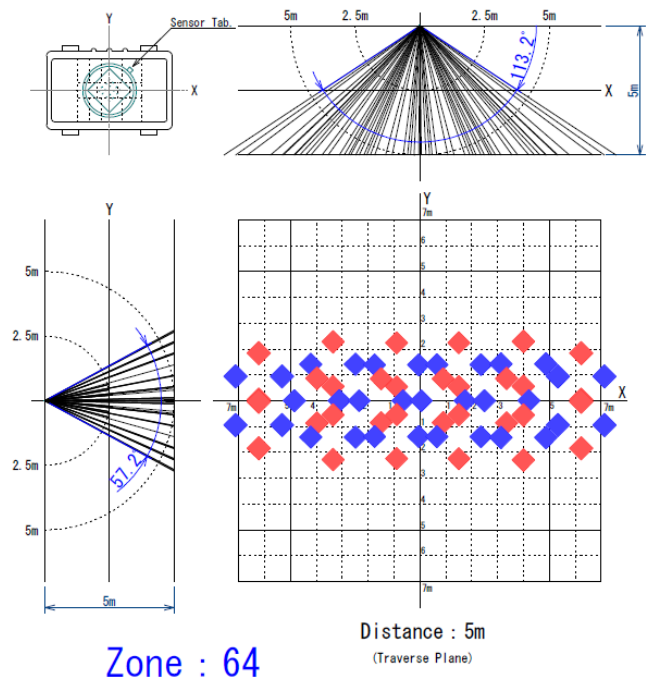


Fig.10e

