


MESSRS. : _____

AGENT : _____

SPECIFICATION of Optical Lens

MODEL NO. : SL-7512 **NIPPON CERAMIC CO., LTD.**176-17 Hirooka, Tottori-shi, 689-1193 JAPAN
TEL: +81-857-53-4666 FAX: +81-857-53-3532

Approved by		Checked by		Prepared by	
MODEL NO. : SL-7512	DRAWING NO. : 2507183	REV : A	PAGE 1 / 6	July 25, 2018	
PART NO. :				 NIPPON CERAMIC CO., LTD.	

1. Scope

This specification describes a optical lens which is used for passive infrared detector.

2. Type of Lens

2.1. Type Name: Spherical shape optical lens

2.2. Model No.: SL-7512

3. Dimensions

See Figure 1.

4. Material

High Density Polyethylene (HDPE)

5. Color

White

6. Optical Characteristics
6.1. Number of Segments

12 Segments

6.2. Sensing element position

See Figure 2

6.3. Detection Area

See Figure 3

7. Environmental Characteristics
7.1. Operating Temperature

-20 °C ~ +70 °C

7.2. Storage Temperature

-25 °C ~ +75 °C


7.3. Operating humidity

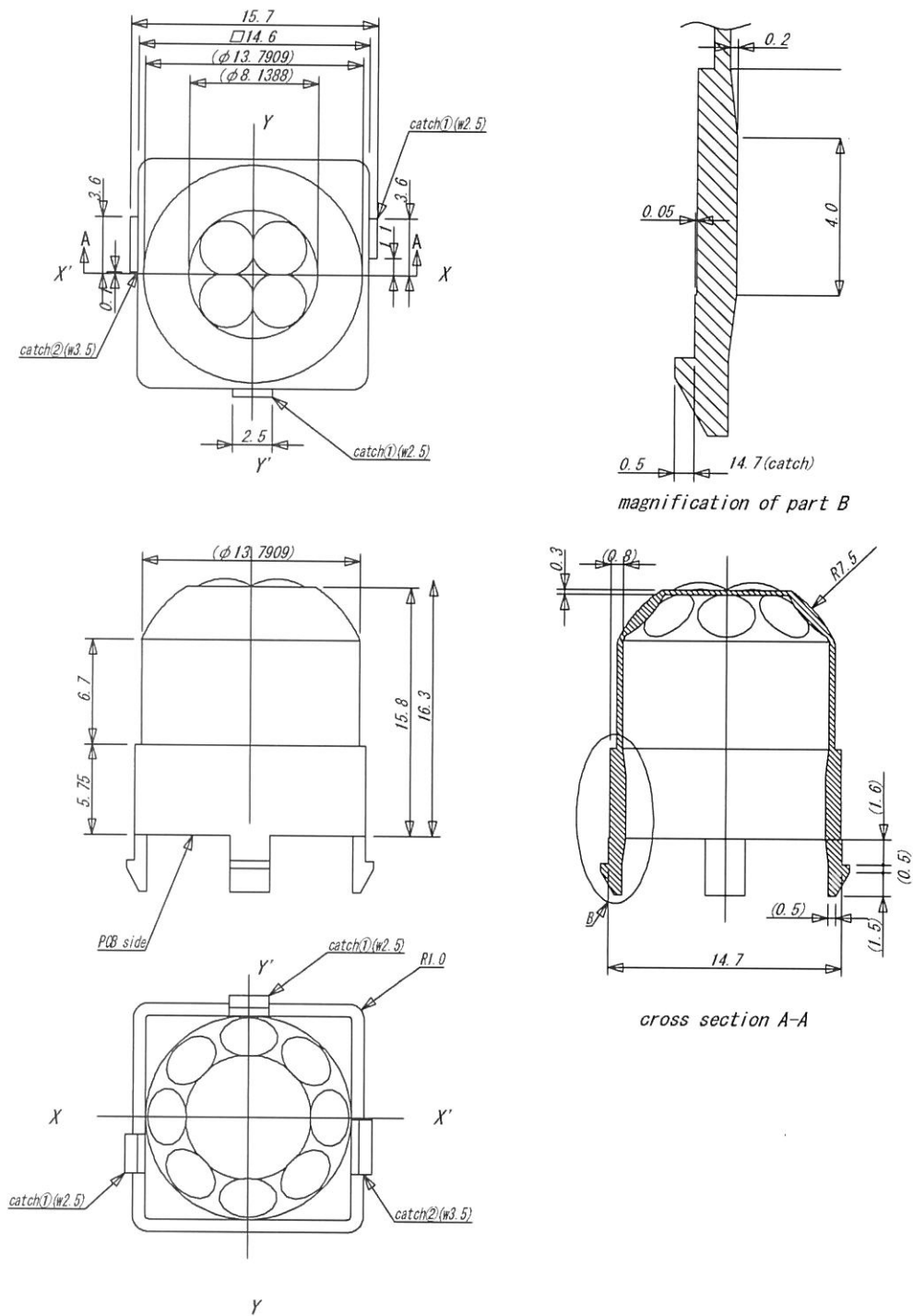
95%RH or less(30 °C)

7.4. Storage humidity

95%RH or less(30 °C)

* Please avoid using the lens in direct sunshine conditions because it may cause degradation of the transmittivity.

MODEL NO. : SL-7512	DRAWING NO. : 2507183	REV : A	PAGE 2 / 6	July 25, 2018
PART NO. :				 NIPON CERAMIC CO., LTD.



Tolerance without instruction : (+/-) 0.2
Unit [mm]

Figure 1: Dimensions

MODEL NO. : SL-7512	DRAWING NO. : 2507183	REV : A	PAGE 3 / 6	July 25, 2018
PART NO. :				NIPPON CERAMIC CO., LTD.

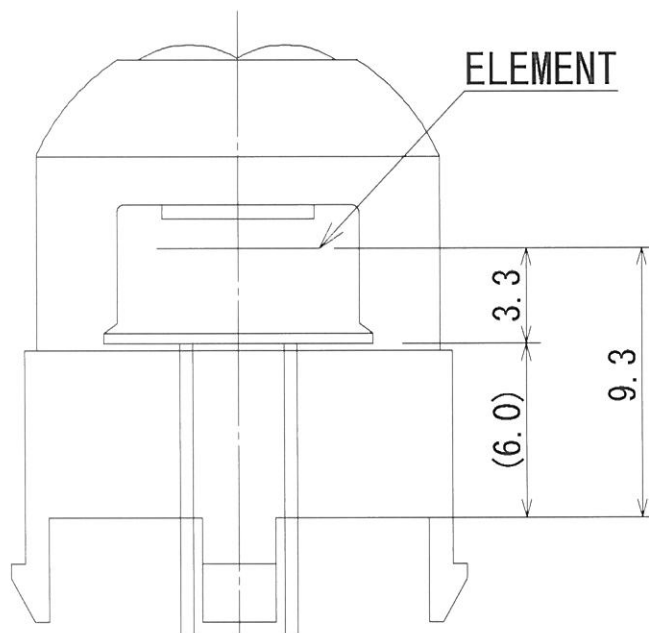

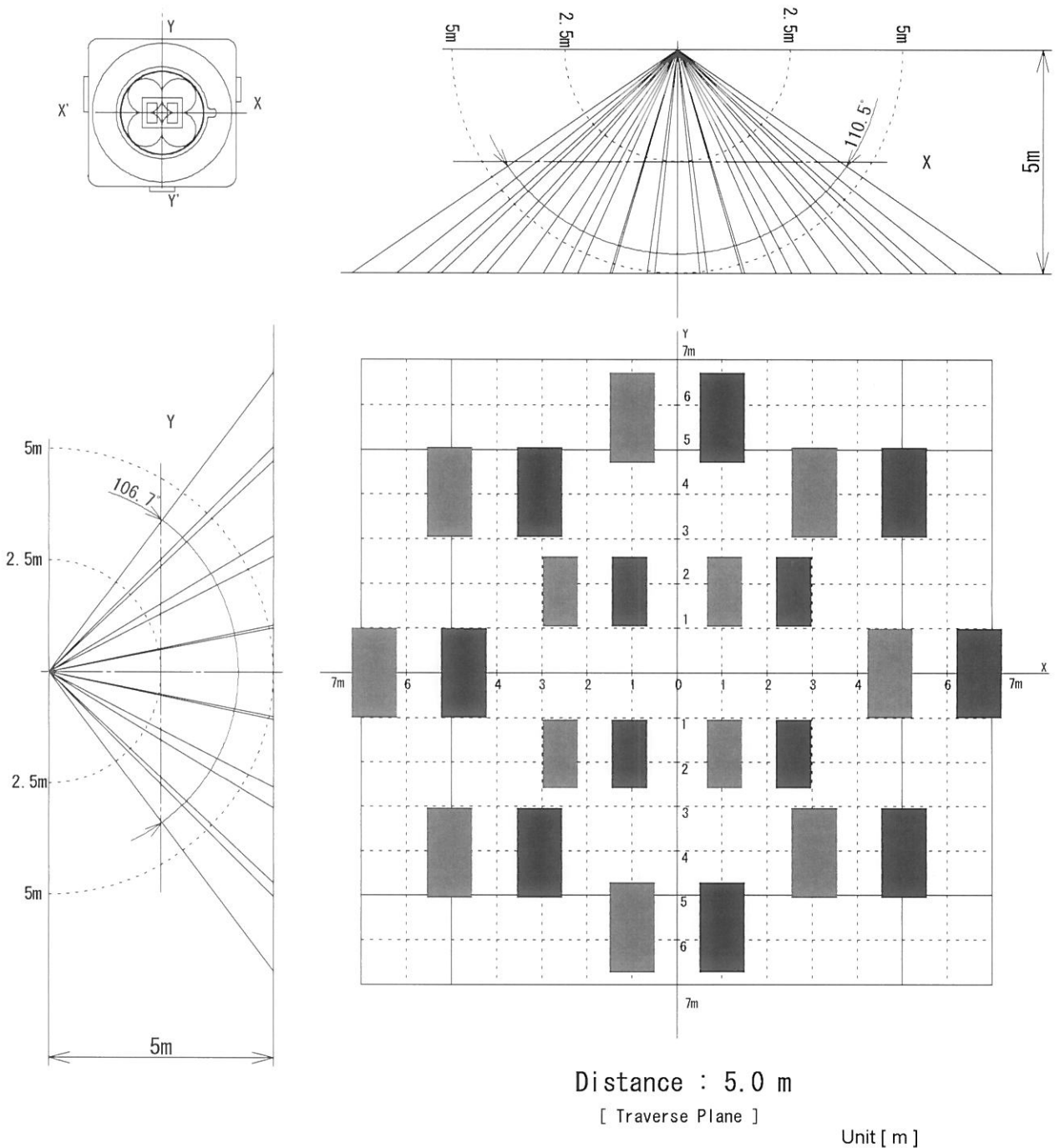


Figure 2 : Sensing element position

MODEL NO. : SL-7512	DRAWING NO. : 2507183	REV : A	PAGE 4 / 6	July 25, 2018
PART NO. :				 NIPPON CERAMIC CO., LTD.

Sensor : Dual element



※ Measured with Nicera Standard 72.5dB amplifier when human body with 4 degrees C of temperature difference to environment moves at 1m/sec speed.

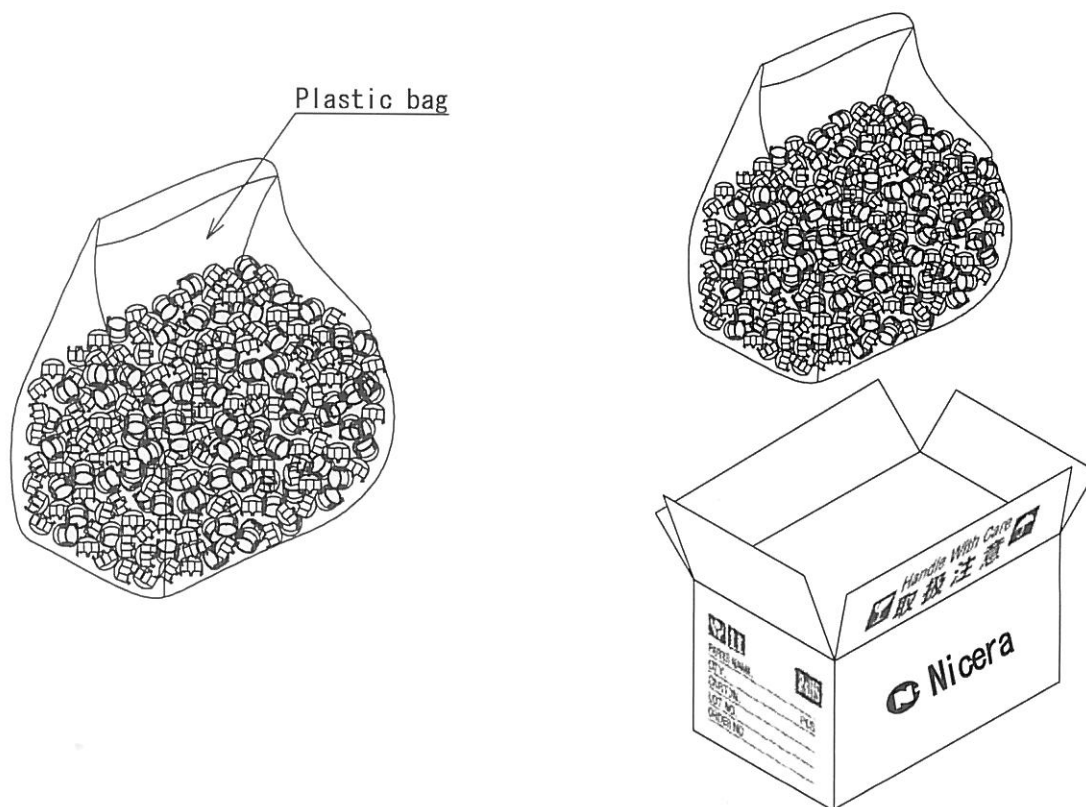
Figure 3: Detection Area (with Dual Element PIR)

MODEL NO. : SL-7512	DRAWING NO. :	REV :	PAGE	July 25, 2018
PART NO. :	2507183	A	5 / 6	NIPPON CERAMIC CO., LTD.

Packing Specification

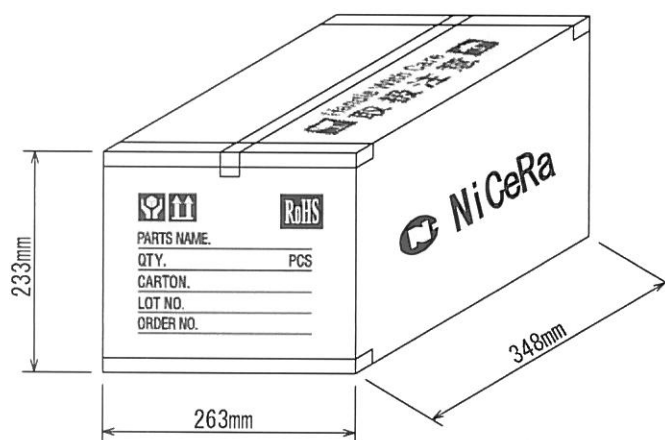
The products are put into a plastic bag, and the plastic bags are packed in an inner box.


1. Standard Package Quantity : 3,000pcs.
2. Product arrangement : 3,000 pcs. / plastic bag
3. Packing : 1 bag × 3,000 pcs. / 3,000 pcs.



4. Packing in a box

The outer box is sealed with stick tape.



MODEL NO. : SL-7512	DRAWING NO. :	REV :	PAGE	July 25, 2018
PART NO. :	2507183	A	6 / 6	 NIPPON CERAMIC CO., LTD.